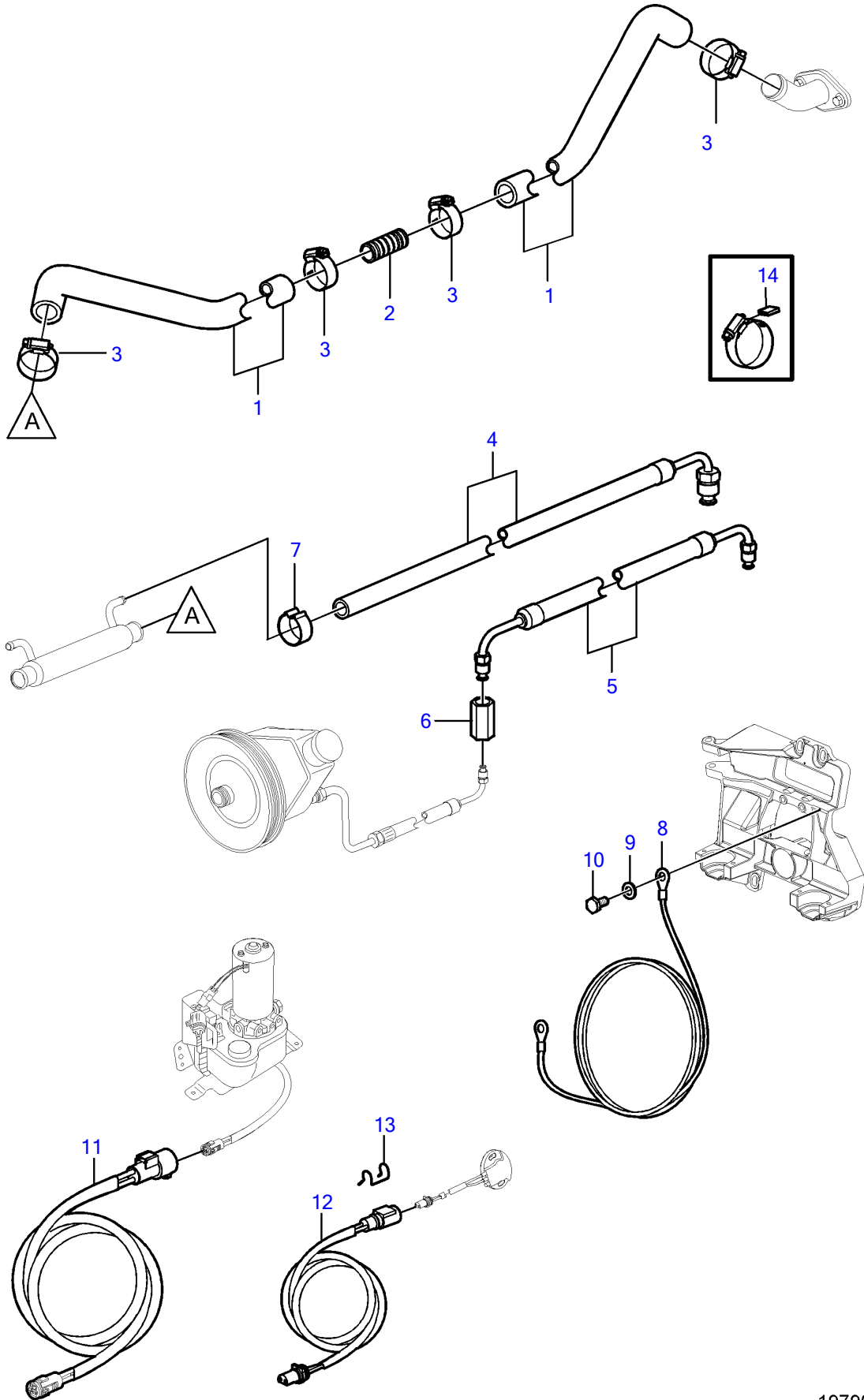


X-B, X-BLT, XHP-B, XHP-BLT, XXP-A, XXP-ALT, XXP-D3



X-B, X-BLT, XHP-B, XHP-BLT, XXP-A, XXP-ALT, XXP-D3

REF	PART NO.	QTY	DESCRIPTION	NOTES
1	3860824	2	Hose	Cut to length
2	3851594	1	Connection pipe	
3	3852602	4	Hose clamp	
4	3860830	1	Hose, return	
5	3860831	1	Hose, pressure	
6	3862511	1	Fitting	
7	982663	1	Hose clamp	
8	(3862894)	1	Cable, ground	L=3050mm, Obsolete part
9	3852193	1	Washer	
10	3852050	1	Screw	
11	3860838	1	Extension cable'verl	Trim pump
12	3860839	1	Extension cable'verl	Trim sender
13	(3852237)	2	Retainer	Obsolete part
14	3858532	X	Cover, clamp	